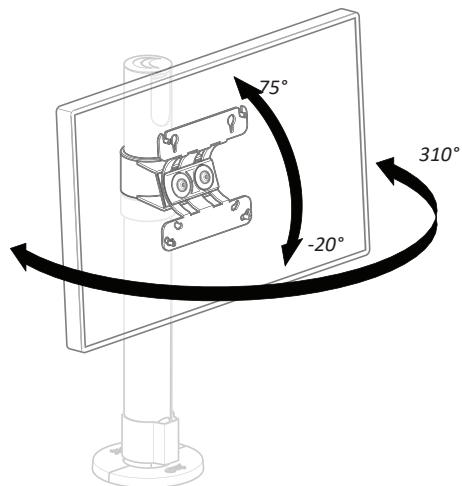
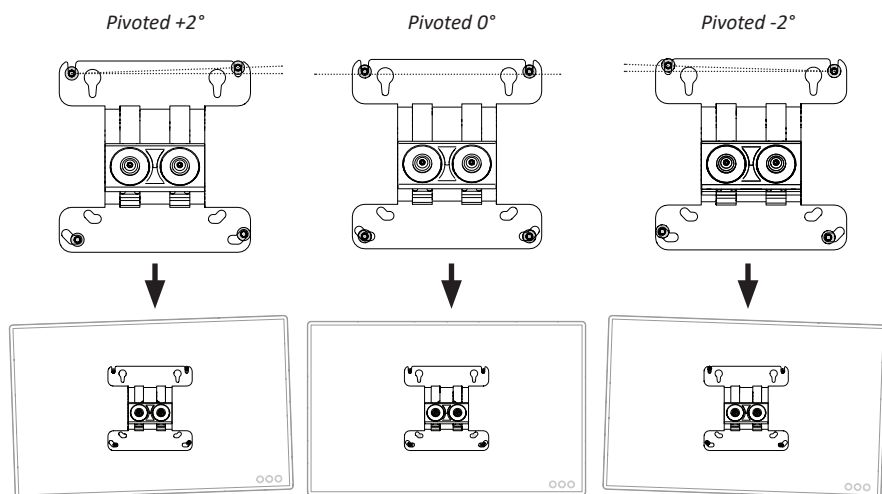


## Screen adjustments



 Cable is not illustrated to improve images' clarity.

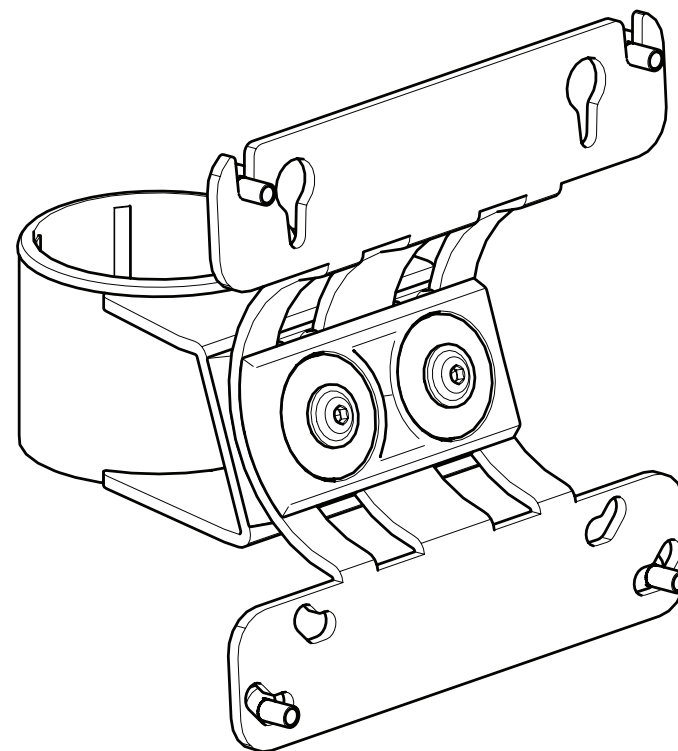
## VESA Pivot Adjustability



# Essentials Installation Guide

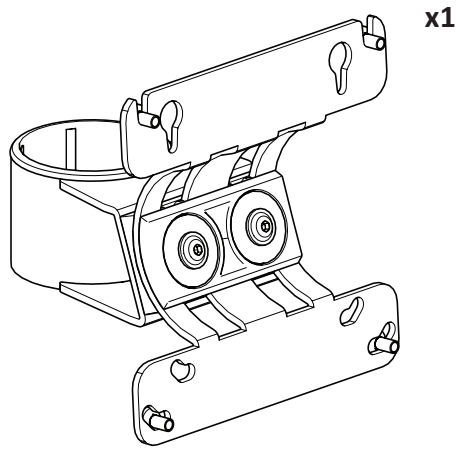
## SPV3306

### SpacePole Arc® VESA 75/100 Display Screen Mount

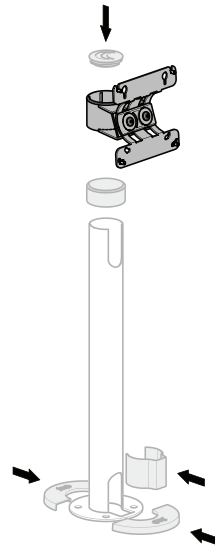


 SpacePole®  
mounting & mobility

### Box Content

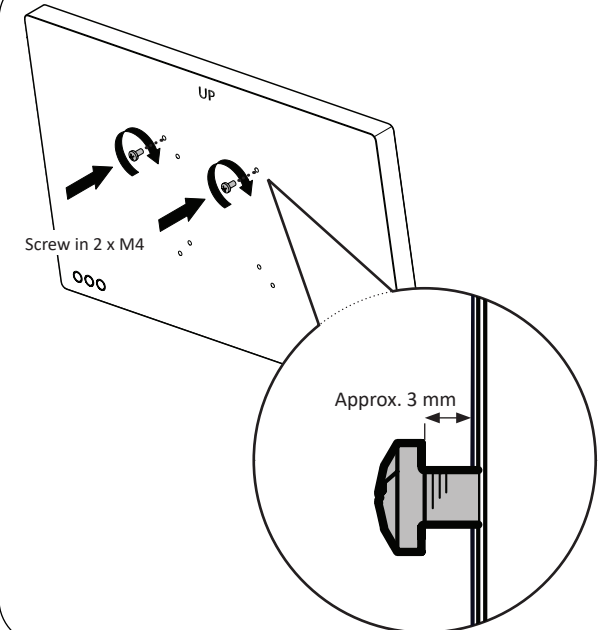


### 2 Install screen mount

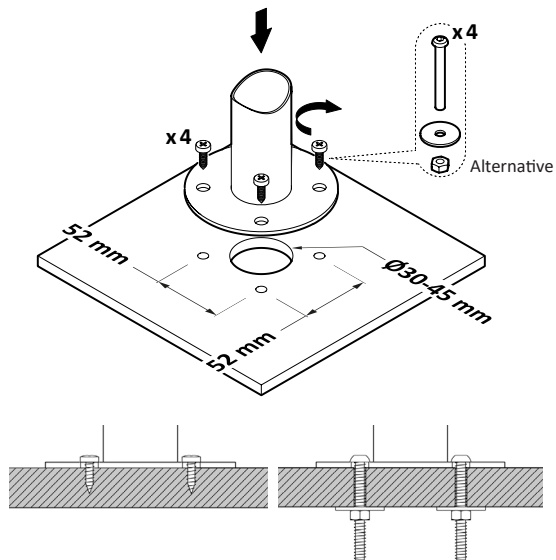


Pole, Lockring, Endcap, Flange cover, Cable clip for illustration only!

### 3 Select screws and mount on screen

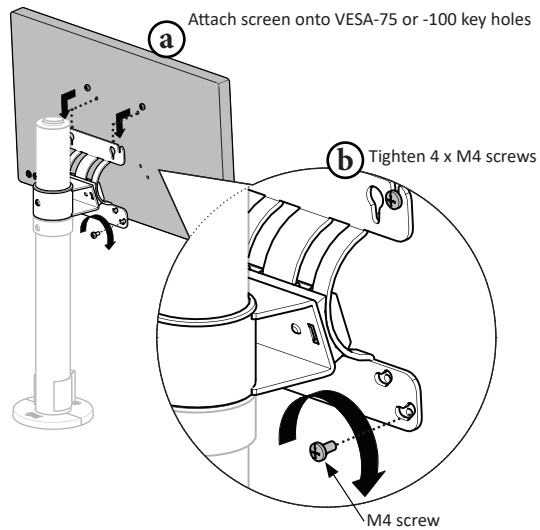


### 1 Pole counter mounting



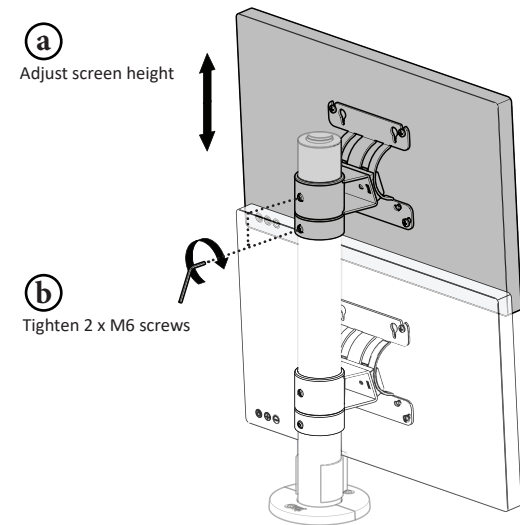
For more mounting options see "SpacePole FixingsGuide"

### 4 Install screen on VESA mount



Screens can be pivoted  $\pm 2^\circ$  - see back page

### 5 Screen height adjustments



Allen key not included in SPV3306